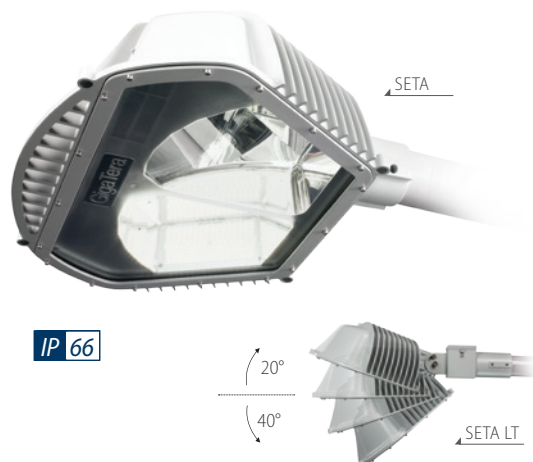


SET & STL SETA & SETA linear tilting



High Efficiency 125 lm/W

- Responsive to diverse settings from the linear tilting structure (Upwards: 20°, Downwards: 40°)
- Silver reflection
- Wireless lighting control
- Built-in 20kV surge protector



IP 66

Application

Industry complexes, Business parks, Local-ways, Alley-ways

Specifications

* Tolerance : ± 5%

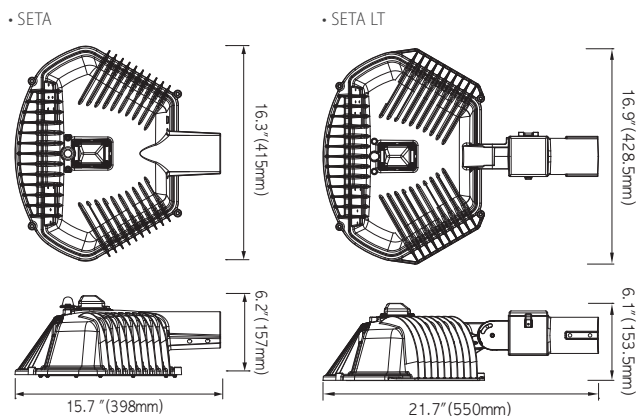
Model	Power	* Luminous Efficacy	* Luminous Flux	Color Temperature	CRI	Weight	Input Voltage	Operation Temperature
SET060 STL060	60W	120 lm/W	7,200 lm			4.5 kg / 9.9 lb 5.5 kg / 12.2 lb		
SET080 STL080	80W	125 lm/W	10,000 lm	5000K (3000K, 4000K 5700K available)	80 Ra	4.5 kg / 9.9 lb 5.5 kg / 12.2 lb	AC100~277V	-30°C~60°C -22°F~140°F
SET100 STL100	100W	125 lm/W	12,500 lm			4.5 kg / 9.9 lb 5.5 kg / 12.2 lb		

Body | Cast Aluminum
Cover | Tempered Glass 4T (Clear)
Finish | Powder Coating

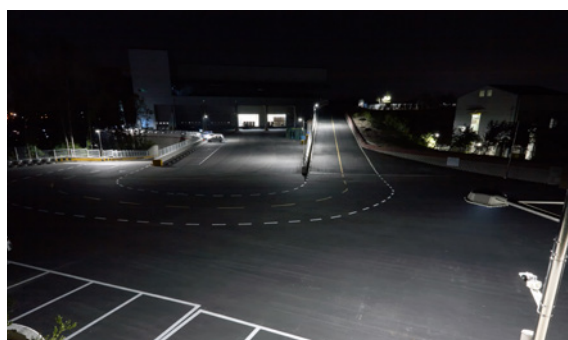
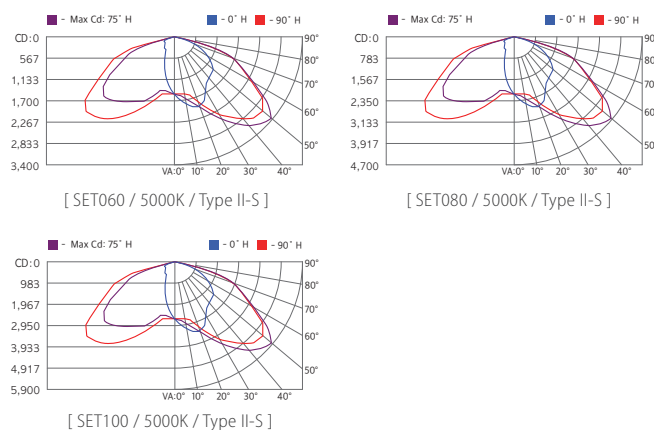
Mounting Option | Horizontal Tenon Mount
Mount Hole | Ø2.38 in. (Ø60.5mm)
Light Distribution | Type II-S

Control System | Wireless / Sensor (Daylight)
more details of GeSS on p.64

Dimensions



Photometry



The above specifications were updated in June 2016 / The content may be subject to change without notice.